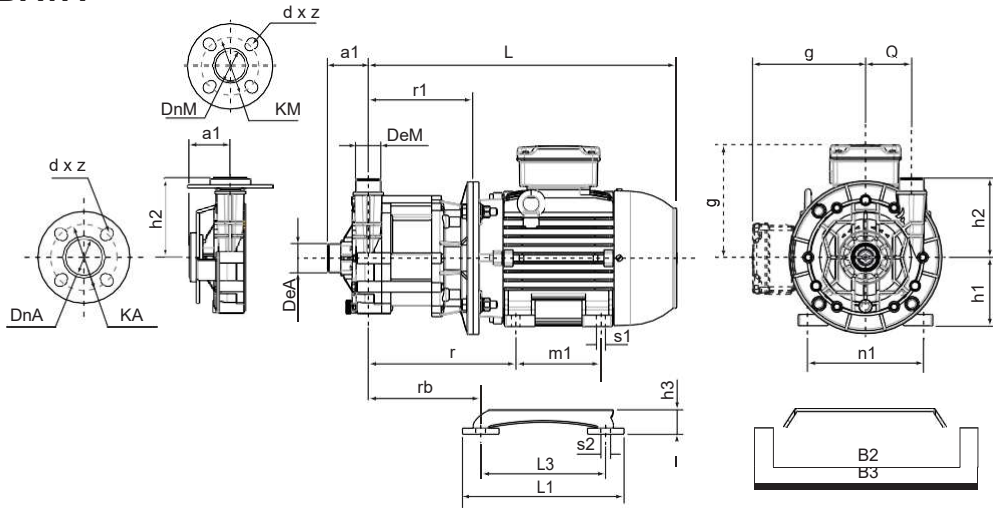


# TECHNICAL DATA



IEC - 50 Hz			model	IEC frame	DnA	DnM	DeA	DeM	KA iso / ansi / jis	KM iso / ansi / jis	d x z iso / ansi / jis	a1	L(°)	Q	h1	h2	r	r1	rb	m1	n1	s1	g(°)	L3	B2	S2	L1	B3	h3												
06.10	N	71	40 - 1" 1/2	32 - 1" 1/4	1" 1/2	1" 1/4	110 / 98 / 105	100 / 89 / 100	18 x 4 / 16 x 4 / 19 x 4	67	75	90	130	205	149	161	140	160	10	155	205	305	185	248	14	245	308	40													
	P	80A																											356	71	194	90	112	7	106						
	S	80B																											385	80	199	125	110								
10.10	N	80A																											385	80	199	125	110								
	P	80B																											405	90	205	140	142								
	S	90S																											405	90	199	125	110								
10.15	N	80B																											405	90	205	140	142								
	P	90S																											430	90	205	140	142								
	S	90L																											430	90	205	140	142								
16.15	N	90S																											430	90	205	140	142								
	P	90L																											478	100	227	164	176	140	160	10	155	205	305	259	359
	S	100																											430	90	205	149	161	125	140	8	142	185	248	245	308
16.20	N	90L	478	100	227	164	176	140	160	10	155	205	305	259	359																										
	P	100	430	90	205	149	161	125	140	8	142	185	248	245	308																										
	S		478	100	227	164	176	140	160	10	155	205	305	259	359																										
02.30	N	90L	430	90	205	149	161	125	140	8	142	185	248	245	308																										
	P	100	478	100	227	164	176	140	160	10	155	205	305	259	359																										
	S																																								

IEC - 60 Hz			model	IEC frame	DnA	DnM	DeA	DeM	KA iso / ansi / jis	KM iso / ansi / jis	d x z iso / ansi / jis	a1	L(°)	Q	h1	h2	r	r1	rb	m1	n1	s1	g(°)	L3	B2	S2	L1	B3	h3												
07.11	N	80A	40 - 1" 1/2	32 - 1" 1/4	1" 1/2	1" 1/4	110 / 98 / 105	100 / 89 / 100	18 x 4 / 16 x 4 / 19 x 4	67	75	90	130	205	149	161	140	160	10	155	205	305	185	248	14	245	308	40													
	P	80B																											385	80	199	125	110								
	S	90S																											430	90	205	140	142								
07.14	N	80B																											385	80	199	125	110								
	P	90S																											405	90	205	140	142								
	S	90L																											405	90	199	125	110								
11.15	N	90S																											405	90	205	140	142								
	P	90L																											430	90	205	140	142								
	S	100																											478	100	227	164	176	140	160	10	155	205	305	259	359
11.23	N	90L																											430	90	205	149	161	125	140	8	142	185	248	245	308
	P	100																											478	100	227	164	176	140	160	10	155	205	305	259	359
	S																																								
17.25	N	112	487	112	234	164	176	140	190	10	168	205	305	259	359																										
	P																																								
	S																																								
03.35	N	112	487	112	234	164	176	140	190	10	168	205	305	259	359																										
	P																																								
	S																																								

(1) can change for motors of different brands

dimension in mm

model		NEMA frame	DnA	DnM	DeA	DeM	KA (mm) iso / ansi / jis	KM (mm) iso / ansi / jis	d x z (mm) iso / ansi / jis	a1	L(°)	Q	h1	h2	r	r1	rb	m1	n1	s1	g(°)	L3	B2	S2	L1	B3	h3												
																												N	P	S	N	P	S	N	P	S	N	P	S
NEMA - 60 Hz	07.11	N	56	40 - 1" 1/2	32 - 1" 1/4	1" 1/2	110 / 98 / 105	100 / 89 / 100	18 x 4 / 16 x 4 / 19 x 4	2.65	2.94	4.5	5.125																										
		P	56																									14.94	8.44	3	4.875	5.44	9.66	12.13					
		S	145																									16.94	5.875	6.34	5	0.375	7.28	9.75					
	07.14	N	143																									15.94	8.125	4	5.5	5.9							
		P	145																									16.94	9.375	6.625	7.125	4.5	7.5	0.41	7	8.06	12	10.2	14.13
		S	182																									18.5	9.375	5.875	6.34	5	5.5	0.375	5.9	7.28	9.75	9.66	12.13
	11.15	N	145																									16.94	8.125	5.875	6.34	5	5.5	0.375	5.9	7.28	9.75		
		P	182																									18.5	9.375	6.625	7.125	4.5	7.5	0.41	7	8.06	12	10.2	14.13
		S	184																									19.5	9.625	6.625	7.125	5.5	7.5	0.41	7	8.06	12	10.2	14.13
	11.23	N	182																									18.5	9.375	6.625	7.125	4.5	7.5	0.41	7	8.06	12	10.2	14.13
		P	184																									19.5	9.625	6.625	7.125	5.5	7.5	0.41	7	8.06	12	10.2	14.13
		S																																					
	17.25	N	184																									19.5	9.625	6.625	7.125	5.5	7.5	0.41	7	8.06	12	10.2	14.13
		P																																					
		S																																					
	03.35	N	184																									19.5	9.625	6.625	7.125	5.5	7.5	0.41	7	8.06	12	10.2	14.13
		P																																					
		S																																					

IEC 50 Hz 2900 rpm	Model	06.10			10.10			10.15			16.15			16.20			02.30																
		N	P	S	N	P	S	N	P	S	N	P	S	N	P	S	N	P	S														
Weigh pump	no motor	Kg																															
	+ IEC 3 fasi (°)	10	11	4	11	3	WR	12	4	GF	12	3	WR	13	3	WR	14	4	GF	11	3	WR	12	4	GF	12	3	WR	13	3	WR	14	4
Max. head	m.c.l	11			14.5			18			23.5			26.5			31																
Max. capacity	m³/h	17			19			25			26			30			8																
Max. NPSH req..	m.c.l																																
Noise	dB	65			70			70			70			70			70																
Loads (ports-section)	Kg	Max. single strength value F(x,y,z) = 2,5																															
Motor	Frame	71	80A	80B	80A	80B	90S	80B	90S	90L	90S	90L	100L	90L	100L	/	90L	100L	/														
	Power	kW	0.55	0.75	1.1	0.75	1.1	1.5	1.1	1.5	2.2	1.5	2.2	3	2.2	3	/	2.2	3	/													
	Voltage	V	400 ± 5% 50 Hz																														
	Phase	n°	3 - 1 (< 3 kW)																														
	Protection	IP	55																														

IEC NEMA 60 Hz 3500 rpm	Model	07.11			07.14			11.15			11.23			17.25			03.35																	
		N	P	S	N	P	S	N	P	S	N	P	S	N	P	S	N	P	S															
Weigh pump	no motor	Kg																																
	+ IEC 3 phase (°)	11	12	4	11	3	WR	12	4	GF	12	3	WR	13	3	WR	14	4	GF	11	3	WR	12	4	GF	12	3	WR	13	3	WR	14	4	GF
	+ NEMA 3 ph. (°)	33	35	38	48	50	44	46	48	50	88	88	21	4	GF	48	16	3	WR	91	25	3	WR	94	26	4	GF	91	25	3	WR	94	26	4
Max. head	m.c.l	15.5			16.5			22			28			36			35																	
Max. capacity	m³/h	15			19.5			24			27			30			10																	
Max. NPSH req.	m.c.l																																	
Noise	dB	70			70			70			70			74			74																	
Loads (ports-section)	Kg	Max. single strength value F(x,y,z) = 2,5																																
Motor	IEC	Frame	80A	80B	90S	80B	90S	90L	90S	90L	100L	90L	100L		112			112																
		Power	kW	0.75	1.1	1.5	1.1	1.5	2.2	1.5	2.2	3	2.2	3		4			4															
		Voltage	V	460 ± 5% 60 Hz																														
		Phase	n°	3 - 1 (< 3 kW)																														
		Protection	IP	55																														
	NEMA	Frame	56	56	145	143	145	182	145	182	184	182	184		184			184																
		Power	HP	1	1 1/2	2	1 1/2	2	3	2	3	5	3	5		5			5															
Voltage		V	460 ± 5% 60 Hz																															
Phase		n°	3																															
Protection	IP	55																																

(\*) can change for motors of different brands